

RTC-710AP

7" Rugged Tablet Features Intel® N3350 / N4200 Processor with Windows® 10



Features

- 7" WXGA (1280 x 800) 700-nit / 300-nit TFT LCD
- Intel® Celeron® N3350 1.1GHz Dual Core Up to 2.4GHz (N4200 Optional)
- Onboard LPDDR4 Memory, 4GB (Default) / 8GB
- eMMC 64GB (Default) / 128GB
- Projected Capacitive Multi-Touch Screen
- WiFi 802.11b/g/n, Bluetooth 5.1, LTE (Optional)
- 2MP Front and 8MP Rear Camera
- RS-232 COM Port + 10/100/1000 Base-T RJ45 via I/O Module (Optional)
- USB 3.2 Gen 1 Type-C x 1, USB 2.0 Type-A x 1
- 2D Barcode Scanner via I/O Module (Optional)
- NFC (HF RFID) Reader (Optional)
- Up to 3 GNSS, GPS + Galileo (Default), GLONASS, BeiDou (Optional)
- One Hot-swappable Battery + Internal Battery, Up to 44W Battery Capacity
- MIL-STD-810G, IP65 Compliant, Drop 122cm
- Programmable Function Key: F1, F2, F3, Volume Up/Down, With LED Illumination
- Windows® 10 IOT



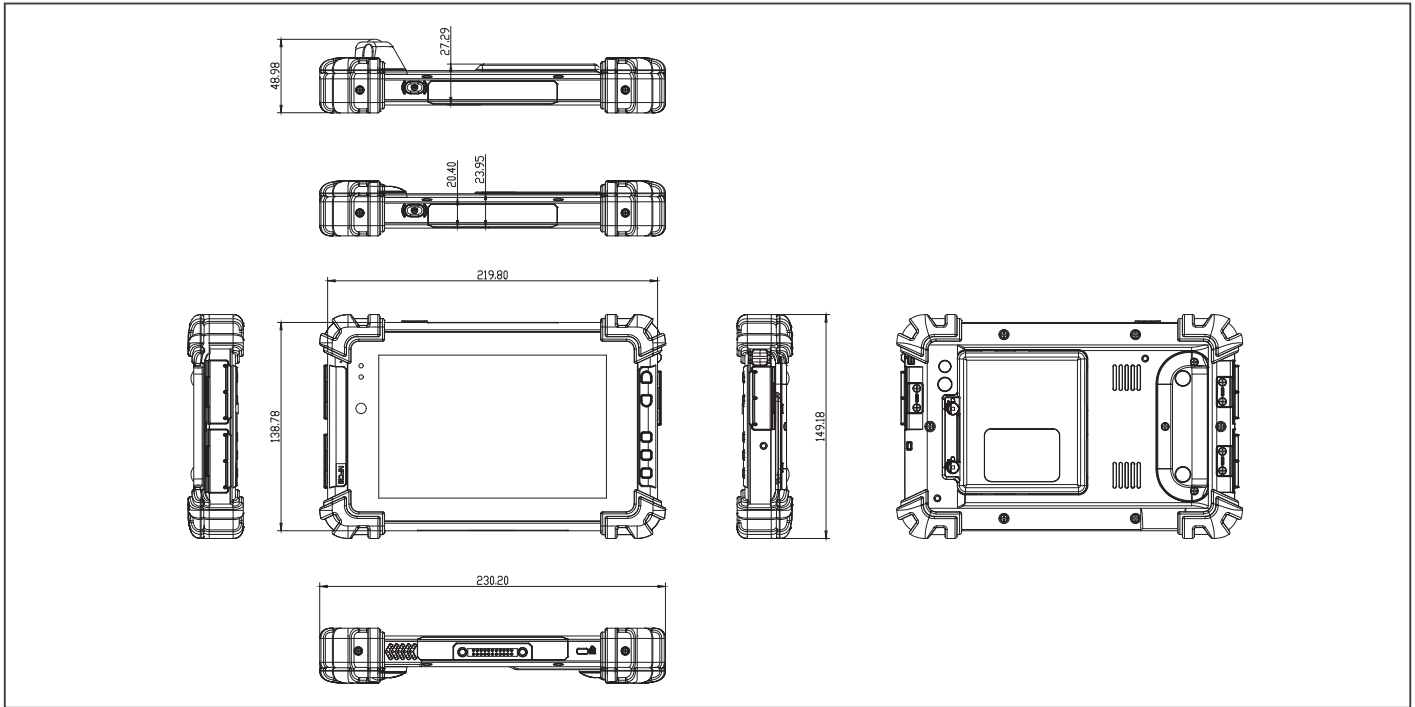
HF RFID (Optional)	ISO 15693 (R/W), ISO 18092 (R/W), ISO 14443-A (R/W), ISO 14443-B (Only Read UID), Depend on card type
Audio	Speaker x 1
Physical Key	F1 (Ctrl+Alt+Del as Soft Reboot), F2 (Screenprint), F3 (Barcode Scanner Trigger), Volume Up, Volume Down
Mechanical	
Color	Dark Gray
Dimension (W x H x D)	8.65" x 5.46" x 0.94" (219.8 x 138.8 x 23.9 mm)
Gross Weight	1.54 lb (0.7 Kg) based on configurations
Environmental	
Operating Temperature	-4°F ~ 122°F (-20°C ~ 50°C) for high-brightness version
Storage Temperature	-22°F ~ 158°F (-30°C ~ 70°C)
Humidity	MIL-STD-810G Method 507.5
Environmental Sealing	IP65
Vibration	MIL-STD-810G Method 514.6
Drop	MIL-STD-810G Method 516.6 Procedure IV Height of Drop: 122 cm (48 inch; 4 ft)
Shock	—
ESD	Air charge: +/- 8KV, Contact charge: +/- 4KV
Certifications and Standards	CE, FCC
Power Supply	
AC / DC Adapter	AC 100 ~ 240 V, 50 ~ 60 Hz, Output: 12V/ 3.34A/ 40W
Battery Life	Li-ion Battery 8-hour battery life based on test configurations
Master Battery	7.2V, 4540mAh, 32.7W
Slave Battery	Hot-swappable battery: 7.4V, 1530mAh, 11.3W (Optional)
Display	
LCD	7" TFT-LCD / 16:10, with LED backlight
Resolution	1280 x 800
Maximum Color	—
Dot Size	0.03925(H) X 0.11775(V) mm
Brightness	700 / 300 nits
Viewing Angle	Horizontal: 178° (Typ.), Vertical: 178° (Typ.)
Touch Screen	
Touch Type	7" Projected Capacitive Multi-Touch Screen (700 nits with 10 points / 300 nits with 5 points)
Light Transmission	Min. 85%

Specifications

System Architecture	
Processor	Intel® Celeron® N3350 1.1GHz Dual core up to 2.4GHz Intel® Pentium® N4200 1.1GHz Quad core up to 2.5GHz
Operating System	Windows® 10 IOT Enterprise SAC
Memory	Onboard LPDDR4 4GB (Default) / 8GB
Storage	eMMC 64GB (Default) / 128GB
Display	7" WXGA (1280x800) 300-nit / 700-nit TFT LCD With Projected Capacitive Multi-Touch Screen
I/O Port	SIM card slot x 1 USB 3.2 Gen 1 Type-C x 1 Audio jack x 1 (3.5mm) DC-in jack x 1 Micro-SD card slot x 1 USB 2.0 Type-A x 1 RS-232 COM Port x 1 (Via I/O Module) 10/100/1000 Base-T RJ45 x 1 (Via I/O Module)
Communication	Wi-Fi 802.11 b/g/n, Bluetooth v5.1
Navigation	Up to 3 GNSS, GPS + Galileo (Default), GLONASS, BeiDou (Optional) External Antenna (Optional)
WWAN(optional)	LTE via M.2 slot (Optional) Hot-swappable Battery can not be used when LTE module is installed.
Camera	2MP front camera, 8MP rear camera with flash
Sensor	G-sensor, E-compass, Gyro-sensor, Light-sensor
Expansion Slot	M.2 slot x 1, Docking connector: USB 3.2 Gen 1 x 1
Barcode Scanner (Optional)	2D Barcode scanner, OPTICON MDI-4100-USB via I/O module (Optional)

Dimension

Unit: mm



Packing List

- **RTC-710AP**
 - **1255X00008**
AC-To-DC Power Adaptor, 12V, 40W
- *Power cord must be purchased separately.

Optional Accessories

- **RDS-0710-000**
Docking Station
- **RDS-0710-001**
Docking Station, W/ Stand
- **RTC-710-HS-000**
Hand Strap
- **RTC-710-BAG-000**
Carry Bag
- **RDS-0040-0000**
4-Bay Battery Charger
- **9741600R04**
Battery Pack, 7.4V, 1530mAh, 2pcs/Box
- **RTC-710-VMP-000**
VESA Mount Plate
- **1259X00003**
Car Adapter, Cigarette Plug
- **1702031802**
Power Cord for USA
- **1702031803**
Power Cord for Europe
- **170203180J**
Power Cord for UK
- **170203180E**
Power Cord for Japan

Ordering Information

Part Number	CPU	OS	LCD Display	Touch Screen	System Memory	Storage	Expansion I/O	Sensor	WiFi/Bluetooth	Navigation	LTE Bands (MHz)	Camera	Docking Connector	2D Barcode Scanner	NFC	Battery	Power
RTC-710AP-RH0001	N4200	Windows 10 IOT	7" 700 nits	PCT 10 points	LPDDR4 4GB	eMMC 64GB	SIM card slot x 1 USB 3.2 Gen 1 Type-C x 1 Audio jack x 1 (3.5mm) DC-in jack x 1 Micro-SD card slot x 1 USB 2.0 Type-A x 1	G-sensor E-compass Gyro-sensor Light-sensor	802.11 b/g/n + BT4.2	—	—	Front: 2MP	—	—	—	32.7W (internal)	DC12V
RTC-710AP-RH0002	N4200	Windows 10 IOT	7" 700 nits	PCT 10 points	LPDDR4 4GB	eMMC 64GB	SIM card slot x 1 USB 3.2 Gen 1 Type-C x 1 Audio jack x 1 (3.5mm) DC-in jack x 1 Micro-SD card slot x 1 USB 2.0 Type-A x 1	G-sensor E-compass Gyro-sensor Light-sensor	802.11 b/g/n + BT4.2	GPS / Galileo / GLONASS	—	Front: 2MP Rear: 8MP w/ Flash	Yes	—	Yes	32.7W (internal) +11.3W(external)	DC12V
RTC-710AP-RH0003	N4200	Windows 10 IOT	7" 700 nits	PCT 10 points	LPDDR4 4GB*	eMMC 64GB	SIM card slot x 1 USB 3.2 Gen 1 Type-C x 1 Audio jack x 1 (3.5mm) DC-in jack x 1 Micro-SD card slot x 1 USB 2.0 Type-A x 1 RS232 Port x 1 (Via I/O Module) 10/100/1000 Base-T RJ45 x 1 (Via I/O Module)	G-sensor E-compass Gyro-sensor Light-sensor	802.11 b/g/n + BT4.2	GPS / Galileo / GLONASS	—	Front: 2MP Rear: 8MP w/ Flash	Yes	—	—	32.7W (internal) +11.3W(external)	DC12V
RTC-710AP-RH0004	N4200	Windows 10 IOT	7" 700 nits	PCT 10 points	LPDDR4 4GB	eMMC 64GB	SIM card slot x 1 USB 3.2 Gen 1 Type-C x 1 Audio jack x 1 (3.5mm) DC-in jack x 1 Micro-SD card slot x 1 USB 2.0 Type-A x 1 2D BCR x 1 (Via I/O Module)	G-sensor E-compass Gyro-sensor Light-sensor	802.11 b/g/n + BT4.2	GPS / Galileo / GLONASS	—	Front: 2MP Rear: 8MP w/ Flash	Yes	Yes	Yes	32.7W (internal) +11.3W (external)	DC12V