



Features

- 7th Generation Intel® Core™ i7/i5/i3/Celeron® Processor SoC
- DDR4 1866/2133, SODIMM x 1
- DVI x 1, DP x 1
- SATA 6.0 Gb/s x 1 & mSATA
- USB 2.0 x 2, USB 3.2 Gen 1 x 4
- COM x 2 (RS-232 x 1, RS-232/422/485 x 1)
- Mini-Card Slot x 2, TPM, SIM
- Wide DC Support 9~36V, +12V Only (Optional)
- Solder Design for System Assembly and Thermal



Serial Port	RS-232 x 1, RS-232/422/485 x 1
Parallel Port	—
HDD Interface	SATA 3.0 x 1, +5V SATA power connector x 1
FDD Interface	—
SSD	mSATA (Shared with half-size MiniCard and Selected by BIOS)
Expansion Slot	Mini-Card mSATA x 1 (Half-size, default), Mini-Card x 1 (Full-size)
DIO	—
SIM	x 1
TPM	TPM 2.0 x 1
Touch	—

Packing List

- GENESYS-KBU6

Optional Accessories

Part Number	Description	QTY
968D4008GB	(TF)8GB, DDR4 2133Mhz, SODIMM 260Pin 512M*8.0~85C Non ECC, Transcend.TS9AAESD00AA	1
968D4004G0	(TF)4GB, DDR4 2133, SODIMM 260Pin, 512M*8, Samsung K4A4G085WX.0~85 deg C, Transcend.TS8AAESD00AA	1
968C032G3P	(TF)Half size mSATA, 32GB MLC, 3ME3 15nm, 0~70 deg C, InnoDisk, DEMSM-32GD09BC1DC-26	1
968C064G3D	(TF)Half size mSATA, 64GB MLC, 3ME3, 15nm, 0~70 deg C, InnoDisk, DEMSM-64GD09BC1DC-26	1
968C128G1Q	(TF)Half size mSATA, 128GB, MLC, -40 ~ 85 C, Transcend.TS128GMSM360I	1
968C256G22	2.5" SATA3 SSD, 256GB, MLC, -10~80C, Transcend.TS256GSSD420K-AA	1
968C512G06	2.5" SATA3 SSD, 512GB, MLC, -10~80C, Transcend.TS512GSSD420K-AA	1
125530060Z	Power Adapter, 12V, 5A, 60W, FSP060-DHAN3	1
1255300960	Power Adapter, 12V, 5A, 96W, FSP096-DHAN3	1
1702031802	Power Cord (US)	1
1702031803	Power Cord (Europe)	1
170203180E	Power Cord (Japan)	1
GENESYS-KBU6-HDD1	HDD Kit. For GENESYS-KBU6	1
GENESYS-KBU6-WMT1	Wall Mount Kit. For GENESYS-KBU6	1
GENESYS-KBU6-VESA1	VESA Mount Kit. For GENESYS-KBU6	1

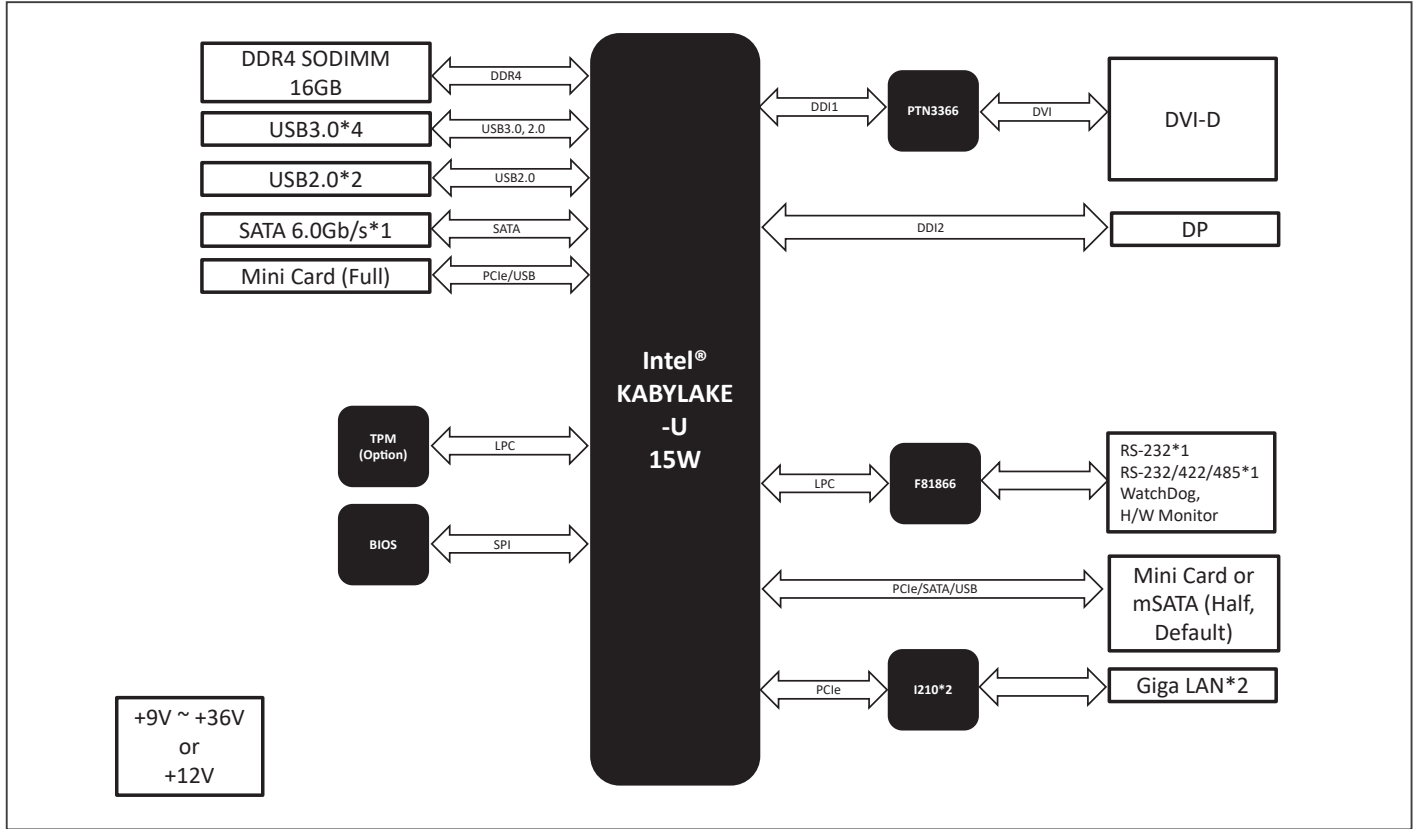
Specifications

System	
Form Factor	3.5" SubCompact Board System
CPU	7th Generation Intel® Core™ i7/i5/i3/Celeron® Processor SoC
CPU Frequency	Up to 3.9GHz
Chipset	7th Generation Intel® Processor SoC
Memory Type	DDR4 1866/2133, SODIMM x 1
Max. Memory Capacity	Up to 16GB
BIOS	UEFI
Wake on LAN	Yes
Watchdog Timer	255 Levels
Power Requirement	+9 ~ 36V or +12V
Power Supply Type	ATX
Power Consumption (Typical)	Intel® i7-7600U, DDR4 2400MHz 16GB, 1.85A@ +12V
Dimension (L x W)	170mm x 137mm x 44.5mm
Operating Temperature	32°F ~ 122°F (0°C ~ 50°C)
Storage Temperature	-40°F ~ 176°F (-40°C ~ 81°C)
Operating Humidity	0% ~ 90% relative humidity, non-condensing
MTBF (Hours)	123,000
Certification	CE/FCC
Display	
VGA/LCD Controller	7th Generation Intel® Processor SoC
Video Output	DVI-D, DP (Default)
Backlight inverter supply	Yes
I/O	
Ethernet	Intel® i210/i211, 10/100/1000Base-TX, RJ-45 x 2
Audio	—
USB Port	USB 3.2 Gen 1 x 4, USB 2.0 x 2

CPU Support Chart

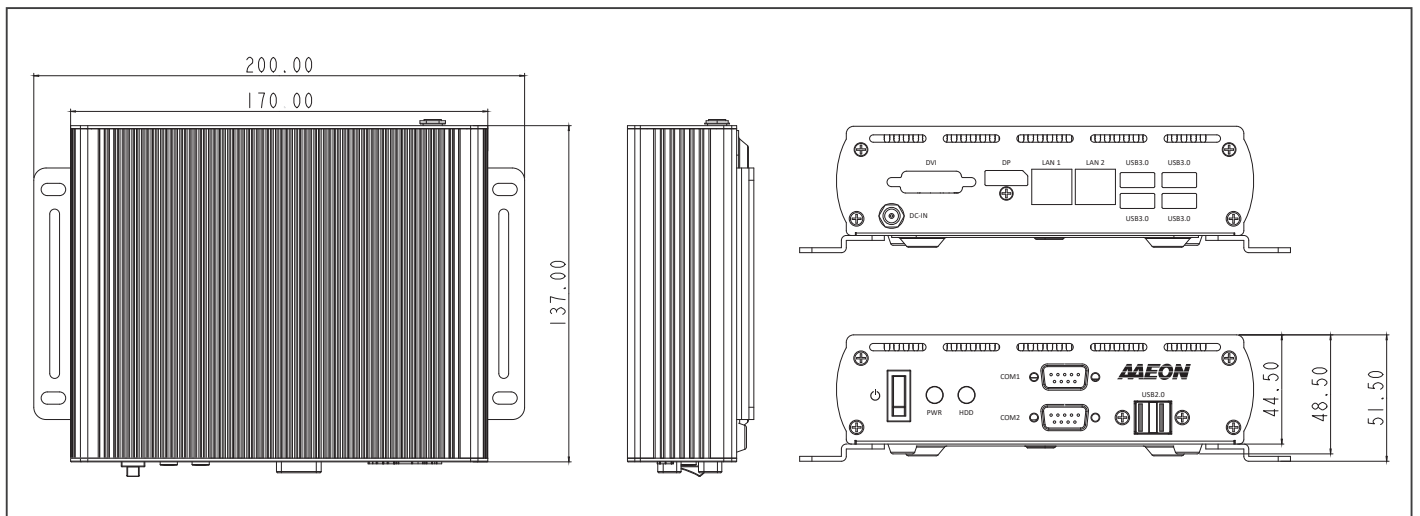
CPU	Base Frequency/ Turbo Boost GHz	Core/ Thread	Last Level Cache	TDP	Graphic
i7-7600U	2.8/3.9	2/4	4M	15W	GT2 - 620
i5-7300U	2.6/3.5	2/4	3M	15W	GT2 - 620
i3-7100U	2.4	2/4	3M	15W	GT2 - 620
C-3965U	2.2	2/2	2M	15W	GT1 - 610

Block Diagram



Dimension

Unit: mm



Ordering Information

Part Number	CPU	Fan/Fanless	Display	Storage	LAN	USB	RS-232	RS-232/422/485	Expansion Slot	Power	Power Temp	Others
GENESYS-KBU6-A10-0001	i7-7600U	Fanless	VGA	DP x 1, DVI x 1	GbE x 2	USB 3.2 Gen 1 x 4, USB 2.0 x 2	1	1	MiniCard x 1 (Full)	9-36V	0°C - 50°C	—
GENESYS-KBU6-A10-0002	i5-7300U	Fanless	VGA	DP x 1, DVI x 1	GbE x 2	USB 3.2 Gen 1 x 4, USB 2.0 x 2	1	1	MiniCard x 1 (Full)	9-36V	0°C - 50°C	—
GENESYS-KBU6-A10-0003	i3-7100U	Fanless	VGA	DP x 1, DVI x 1	GbE x 2	USB 3.2 Gen 1 x 4, USB 2.0 x 2	1	1	MiniCard x 1 (Full)	9-36V	0°C - 50°C	—