



10.4" Modular HMI Panel PC With Intel® Processor N-series Processors

Front View



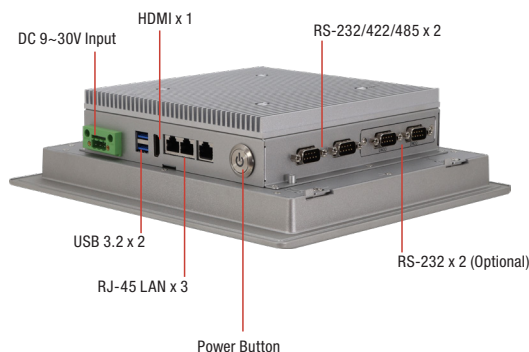
Top View



Antenna Hole x 2

USB 2.0 x 2

Bottom View



Features

- 10.4" (1024 x 768) TFT LCD Display
- Intel® Processor N-series Processors
- Projected Capacitive Multi Touch
- Aluminum Design
- IP65 Compliant Front Bezel
- Fanless Operation
- VESA Mount/Built-in Panel Mount Bracket
- 9-30V DC in a wide range of input



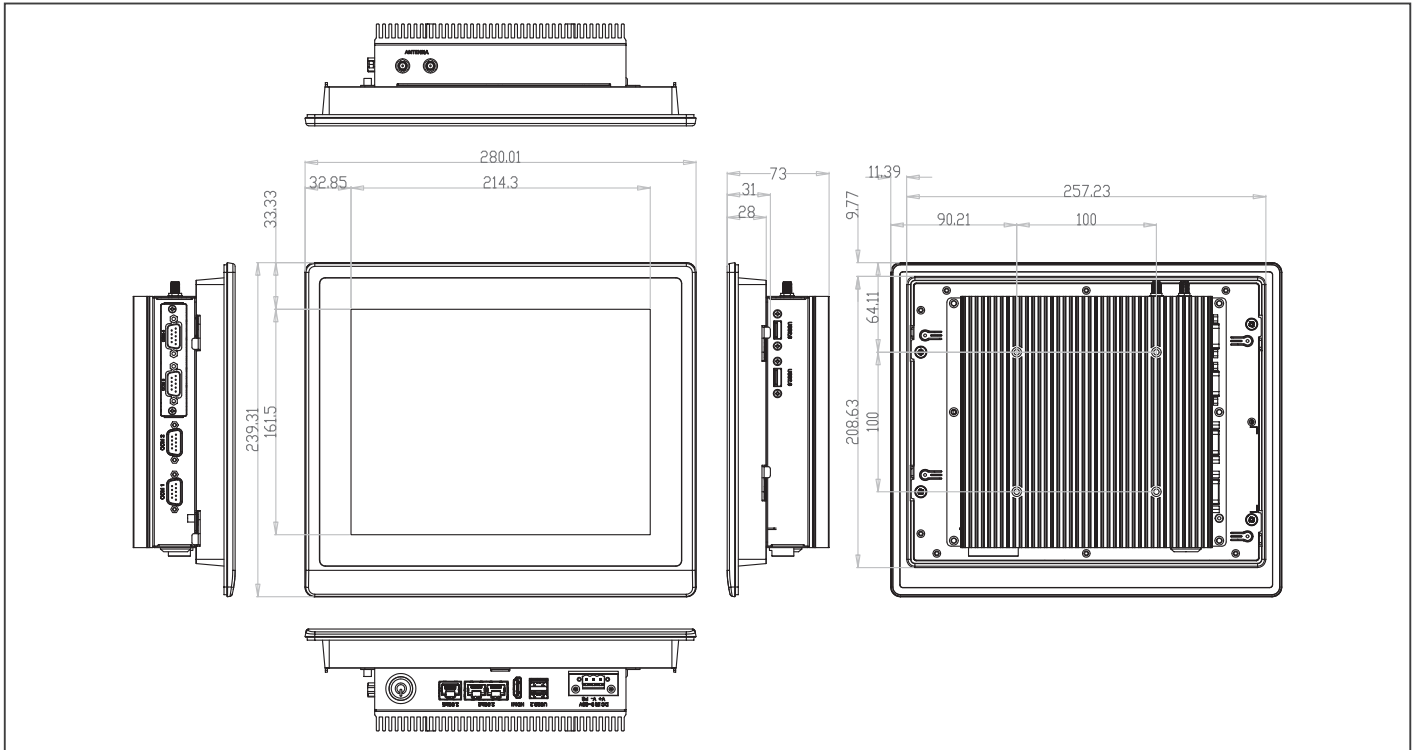
Specifications

System	
Processor	Intel® Processor N50 Intel® Processor N97
System Memory	DDR5 4800 MHz, up to 16GB SODIMM x 1
LCD/CRT Controller	CPU Integrated
Ethernet	Intel® Ethernet Controller I226, 2.5GbE LAN x 3
I/O Port	USB 3.2 Gen 2 (Type-A) x 2 USB 2.0 x 2 DB-9 x 2 (RS-232/422/485, set by BIOS) HDMI 1.4b x 1 2.5GbE RJ-45 x 3 9V ~ 30V 3-pin DC Terminal Block Connector Power on/off Switch with LED Light x 1
Storage Disk Drive	2.5" SATA Drive Bay x 1 (SATA 6Gb/s) Full-size mPCIe (PCIe [x1]/SATA)
Expansion Slot	M.2 3052 B-Key x 1 with Nano SIM M.2 2230 E-Key x 1
OS support	Windows® 10 IoT Enterprise LTSC 2021 Windows® 10/11
Mechanical	
Construction	Aluminum Front Bezel + Metal Chassis
Mounting	Panel Mount/VESA Mount (VESA 100)
Dimension	11" x 9.4" x 2.9" (280.01 mm x 239mm x 72.8mm)
Carton Dimension	16.3" x 7.1" x 15.4" (415mm x 180mm x 392mm)
Gross Weight	6.4 lb. (2.9Kg)
Environmental	
Operating Temperature	-4°F ~ 122°F (-20°C ~ 50°C) with 0.7m/s airflow
Storage Temperature	-4°F~140°F (-20°C~60°C)
Storage Humidity	90% @40°C; non-condensing
Vibration	1Grms /5~500Hz/ operation - with mSATA
Shock	15G peak acceleration (11 m sec. duration) with mSATA
EMC	CE/FCC Class A
Power Supply	
DC input	DC 9~30V
LCD	
Display Type	10.4" TFT LCD, LED
Max Resolution	1024 (H) x 768 (V)
Max. Colors	16.7M
Luminance	500 cd/m ²
Viewing Angle	176° (H) x 176° (V)
Back Light	LED
Back Light MTBF (Hours)	50,000
Touchscreen	
Type	Projected Capacitive Multi-Touch
Light Transmission	90%



Dimension

Unit: mm



Ordering Information

Part Number	Display Type	Max Resolution	Luminance	View Angle	CPU	LAN	USB	RS-232/422/485	Storage	RAM	Display	Internal Expansion	Mounting	Power	Operating Temp.	Touch
OMNI-3105HTT-ADN-A1-1010	10.4" TFT LCD	1024 x 768	500 cd/m ²	176° (H) / 176° (V)	Intel® Processor N50	3	USB 3.2 x 2 USB 2.0 x 2	2	SATA-III x1 (6 Gb/s, for 2.5" SATA drive bay) Full Size mPCIe (Support PCIe(x1) / SATA)	DDR5, up to 16GB	HDMI x1	M.2 B-Key 3052 x1 with Nano SIM M.2 E-Key 2230 x1	VESA / Panel Mount	DC 9-30V	-20°C-50°C with air flow	Projective Touch
OMNI-3105HTT-ADN-A2-1010	10.4" TFT LCD	1024 x 768	500 cd/m ²	176° (H) / 176° (V)	Intel® Processor N97	3	USB 3.2 x 2 USB 2.0 x 2	2	SATA-III x1 (6 Gb/s, for 2.5" SATA drive bay) Full Size mPCIe (Support PCIe(x1) / SATA)	DDR5, up to 16GB	HDMI x1	M.2 B-Key 3052 x1 with Nano SIM M.2 E-Key 2230 x1	VESA / Panel Mount	DC 9-30V	-20°C-50°C with air flow	Projective Touch

Packing List

- Phoenix Power Connector
- OMNI-3105-ADN
- Screws

Optional Accessories

- AP-OT9789LA1000
LA-100 LCD Monitor Stand
- 170X000799
Power Cord (US Type)
- 170X001024
Power Cord (European Type)
- 170X000803
Power Cord (Japanese Type)
- 1255900849
12V 84W Power Adapter