



27" Modular HMI Panel PC with 12th Generation Intel® Core™/Celeron® Processors

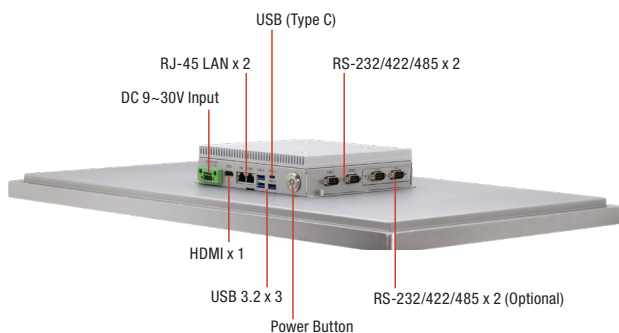
Front View



Top View



Bottom View



Features

- 27" (1920 x 1080) TFT LCD Display
- 12th Generation Intel® Core™/Celeron® Processors
- Projective Touch
- M.2 2280 M-Key x 1 (PCIe [x4] NVMe Storage)
- Aluminum Design
- IP65 Compliant Front Bezel
- Fanless Operation
- VESA Mount/ Built-in Panel Mount Bracket
- 9 ~ 30V DC in a wide range of input



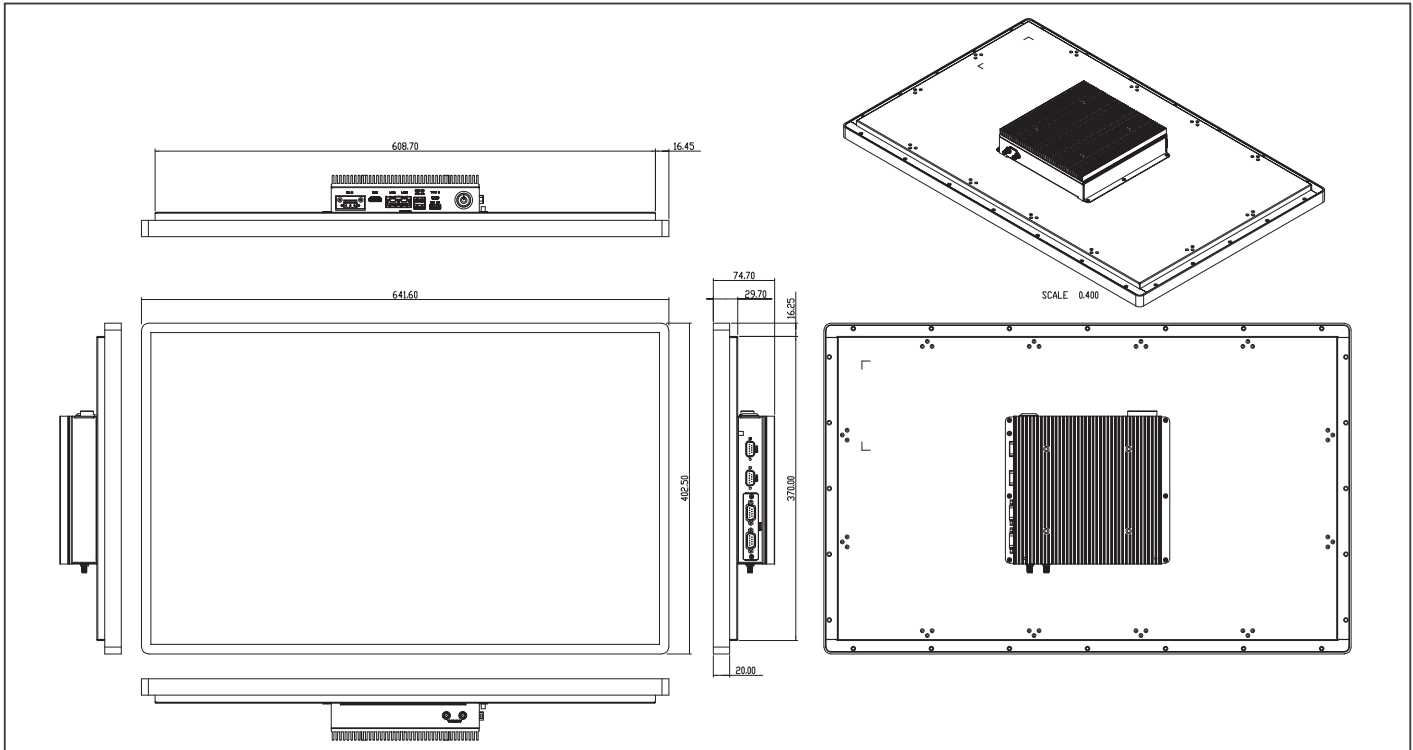
Specifications

System	
Processor	12th Generation Intel® Core™/Celeron® Processors
System Memory	DDR5 4800MHZ, Dual Channel SODIMM x 2, up to 64GB
LCD/CRT Controller	—
Ethernet	Intel® Ethernet Connection I219, 10/100/1000Base Intel® Ethernet Controller I226, 10/100/1000/2500Base
I/O Port	RJ-45 LAN x 2 USB 3.2 Gen 2 (Type-A) x 3 USB 3.2 Gen 2 (Type-C) x 1 HDMI 2.0b x 1 DB-9 x 2 (RS-232/422/485)
Storage Disk Drive	2.5" HDD Bay for SATA 6Gb/s x 1 M.2 2280 M-Key x 1 (PCIe [x4] NVMe Storage)
Expansion Slot	M.2 3052 B-Key x 1 (Default: USB 3.2 Gen 2 + SATA, PCIe [x2] optional by BOM) M.2 2230 E-Key x 1 (PCIe, USB 2.0)
OS support	Windows® 10 IoT Enterprise LTSC 2021 Windows® 10/11
Mechanical	
Construction	Aluminum Front Bezel + Metal Chassis
Mounting	VESA / Panel Mount
Dimension	25.26" x 15.85" x 2.94" (641.60mm x 402.50mm x 74.70mm)
Carton Dimension	30.70" x 22.24" x 8.58" (780mm x 565mm x 218mm)
Gross Weight	27.1 lb (12.30kg)
Environmental	
Operating Temperature	32°F ~ 113°F (0°C ~ 45°C) with airflow
Storage Temperature	-4°F ~ 140°F (-20°C ~ 60°C)
Storage Humidity	90% @40°C; non-condensing
Vibration	1Grms / 5~ 500Hz / operation
Shock	15 G peak acceleration (11 msec. duration)
EMC	CE/FCC Class A Compatible
Power Supply	
DC input	DC 9~30V
LCD	
Display Type	27" TFT-LCD, LED
Max Resolution	1920 x 1080
Max. Colors	16.7M colors
Luminance	300 cd/m ²
Viewing Angle	178° (H) ; 178° (V)
Back Light	LED
Back Light MTBF (Hours)	30,000 Hrs
Touchscreen	
Type	Projective Touch (Max. 10 Point)
Light Transmission	>= 86%



Dimension

Unit: mm



Ordering Information

Part Number	Display Type	Max Resolution	Luminance	View Angle	CPU	LAN	USB	RS-232/422/485	Storage	RAM	Display	Internal Expansion	Mounting	Power	Operating Temp.	Touch
OMNI-2275HTT-ADP-A5-1010	27" TFT LCD	1920 x 1080	300 cd/m ²	178° (H); 178° (V)	Intel® Celeron® Processor 7305E	2	USB 3.2 Gen2 (Type A) x 3 USB 3.2 Gen 2 (Type C) x 1	2	2.5" SATA-III x1 M.2 2280 M-Key x1 (PCIe[x4] for NVMe Storage)	DDR5, up to 64GB	HDMI x1	M.2 3052 B Key x1 (Default: USB 3.2Gen 2 + SATA, PCIe[x2] optional by BOM) M.2 2230 E-Key x1 (PCIe, USB 2.0)	VESA / Panel Mount	DC 9~30V	0°C ~ 45°C with airflow	Projective Touch
OMNI-2275HTT-ADP-A6-1010	27" TFT LCD	1920 x 1080	300 cd/m ²	178° (H); 178° (V)	Intel® Core™ i3-1215UE	2	USB 3.2 Gen2 (Type A) x 3 USB 3.2 Gen 2 (Type C) x 1	2	2.5" SATA-III x1 M.2 2280 M-Key x1 (PCIe[x4] for NVMe Storage)	DDR5, up to 64GB	HDMI x1	M.2 3052 B Key x1 (Default: USB 3.2Gen 2 + SATA, PCIe[x2] optional by BOM) M.2 2230 E-Key x1 (PCIe, USB 2.0)	VESA / Panel Mount	DC 9~30V	0°C ~ 45°C with airflow	Projective Touch
OMNI-2275HTT-ADP-A7-1010	27" TFT LCD	1920 x 1080	300 cd/m ²	178° (H); 178° (V)	Intel® Core™ i5-1245UE	2	USB 3.2 Gen2 (Type A) x 3 USB 3.2 Gen 2 (Type C) x 1	2	2.5" SATA-III x1 M.2 2280 M-Key x1 (PCIe[x4] for NVMe Storage)	DDR5, up to 64GB	HDMI x1	M.2 3052 B Key x1 (Default: USB 3.2Gen 2 + SATA, PCIe[x2] optional by BOM) M.2 2230 E-Key x1 (PCIe, USB 2.0)	VESA / Panel Mount	DC 9~30V	0°C ~ 45°C with airflow	Projective Touch
OMNI-2275HTT-ADP-A8-1010	27" TFT LCD	1920 x 1080	300 cd/m ²	178° (H); 178° (V)	Intel® Core™ i7-1265UE	2	USB 3.2 Gen2 (Type A) x 3 USB 3.2 Gen 2 (Type C) x 1	2	2.5" SATA-III x1 M.2 2280 M-Key x1 (PCIe[x4] for NVMe Storage)	DDR5, up to 64GB	HDMI x1	M.2 3052 B Key x1 (Default: USB 3.2Gen 2 + SATA, PCIe[x2] optional by BOM) M.2 2230 E-Key x1 (PCIe, USB 2.0)	VESA / Panel Mount	DC 9~30V	0°C ~ 45°C with airflow	Projective Touch

Packing List

- Phoenix Power Connector
- OMNI-2275-ADP
- Screws

Optional Accessories

- **AP-OT9789LA1000**
LA-100 LCD Monitor Stand
- **170X000799**
Power Cord (US Type)
- **170X001024**
Power Cord (European Type)
- **170X000803**
Power Cord (Japanese Type)
- **1255X00059**
19V 120W Power Adapter
- **9651MNAD01**
RS-232/422/485 x 2 (Expansion I/O Module)
- **9641MNAD0E**
USB 2.0 x 2 (Expansion I/O Module)
- **9641MNAD0D**
USB 2.0 x 2 (Internal Port)