

Rev.	Sym.	Q'TY	ICN/ECN NO	Changed by	Date
V1.0			the first release		

COMPANY CONFIDENTIAL

A

B

C

D

E

F

A

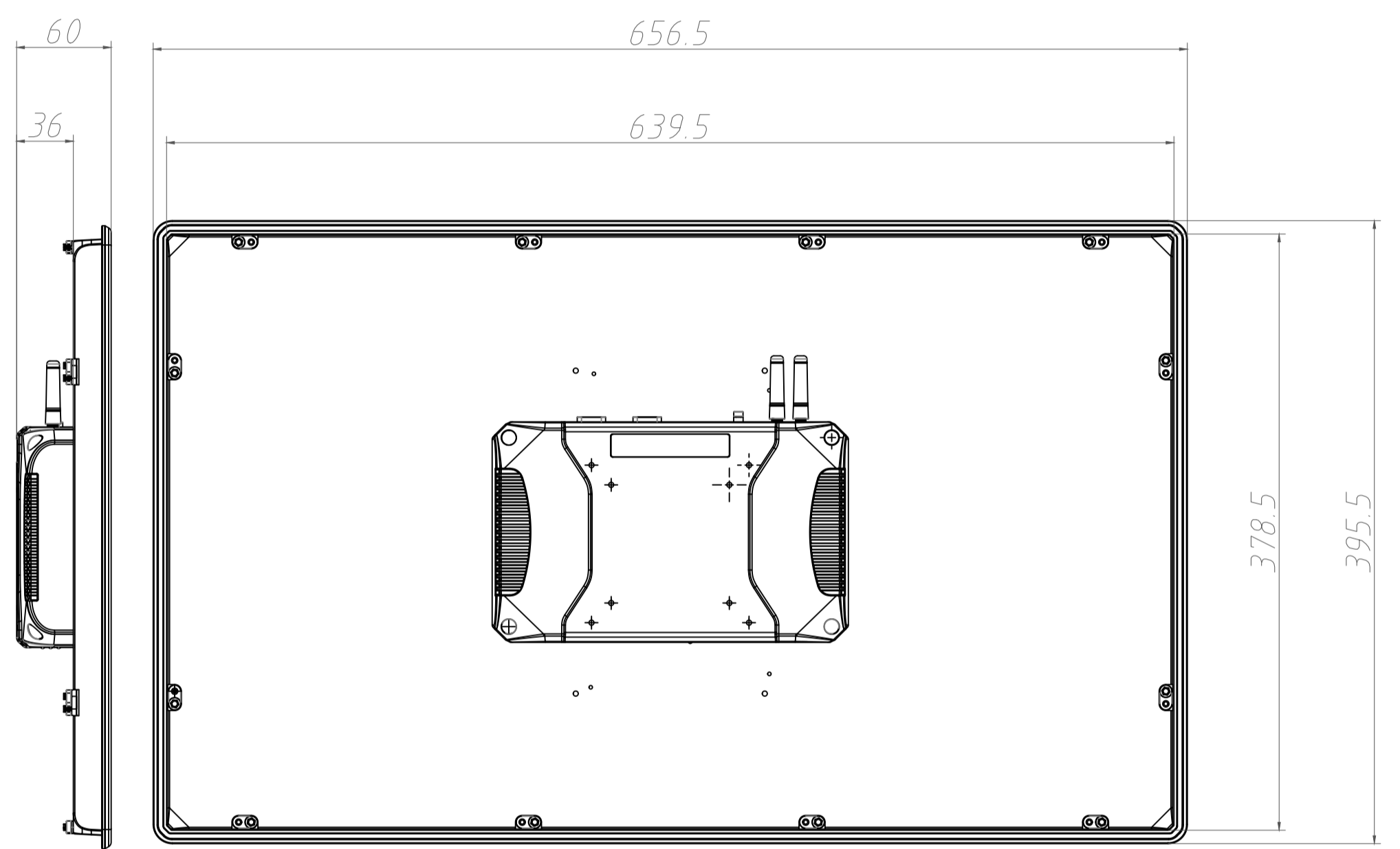
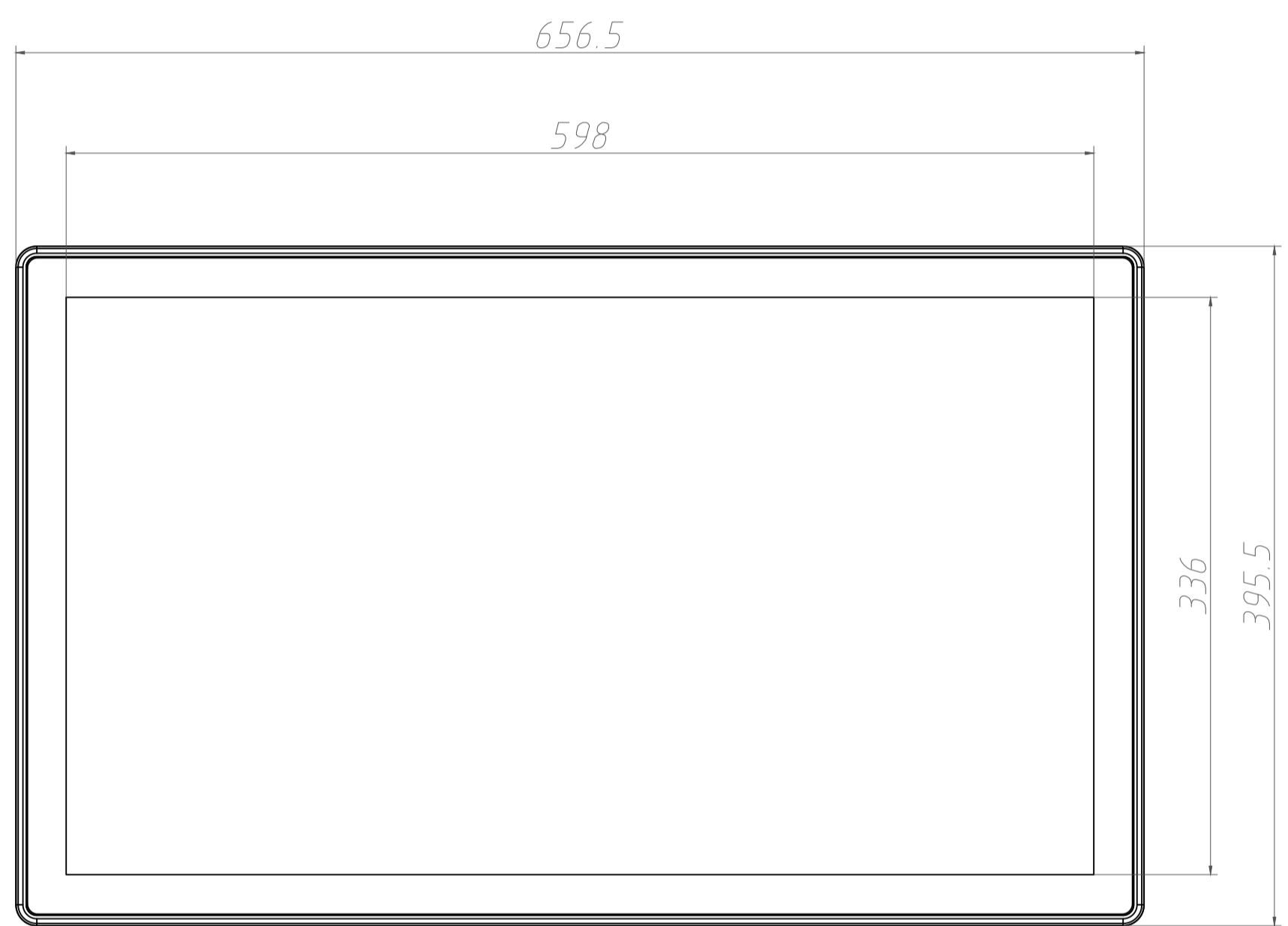
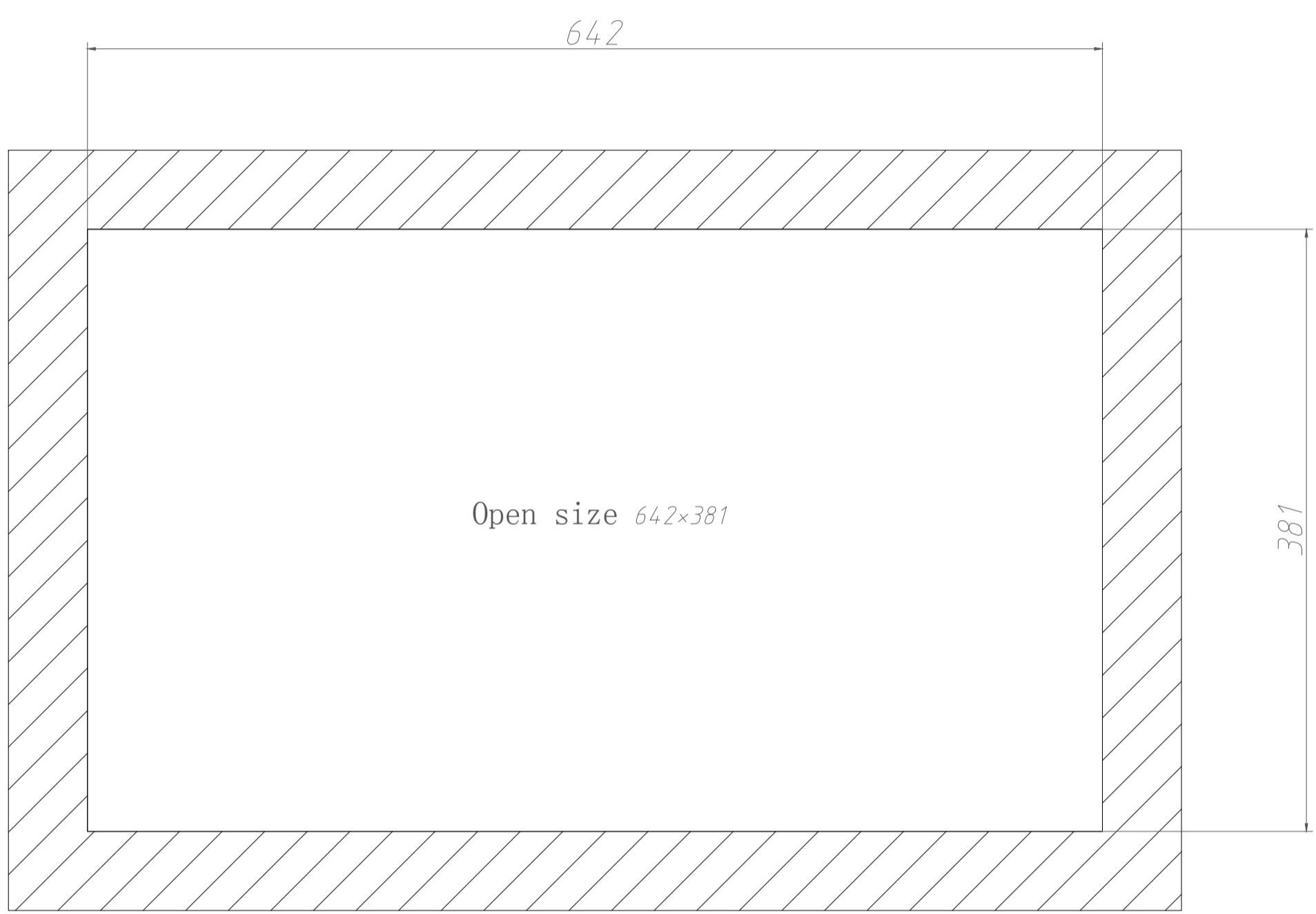
B

C

D

E

F



<p>First angle system</p>	Design	Project Name :		Part Name		
	Check			Part No		
	Approve			Material	See Notes	Size: Scale: 1:1
				Process	See Notes	Unit: mm Sheet: 1 of 1