

Power. Beautiful.

Excellence · Innovation

iBOX3576



Shanghai Panelmate Electronics Co., Ltd.

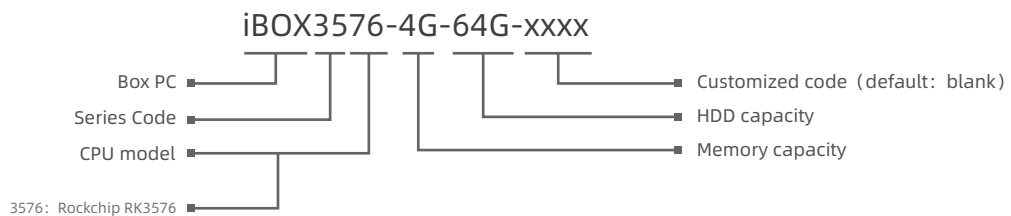
iBOX3576 Fanless Industrial Box



Features

- Compact aluminium-magnesium alloy profile housing
- Flat mounting, Wall-mounting
- Built-in mini-PCIe Slot
- 1 x USB2.0, 1 x USB3.0-OTG
- Compatible with mainstream operating systems such as Android, Ubuntu, Debian
- EStandard 1 x WiFi & Bluetooth Antenna; RK3576 platform additionally integrates a GPS Antenna for precise positioning
- 12~36V Wide Voltage: 12V Fixed, Reserved Wide Voltage
- Supports expandable WiFi, 4G, and 5G modules

Namely Rule



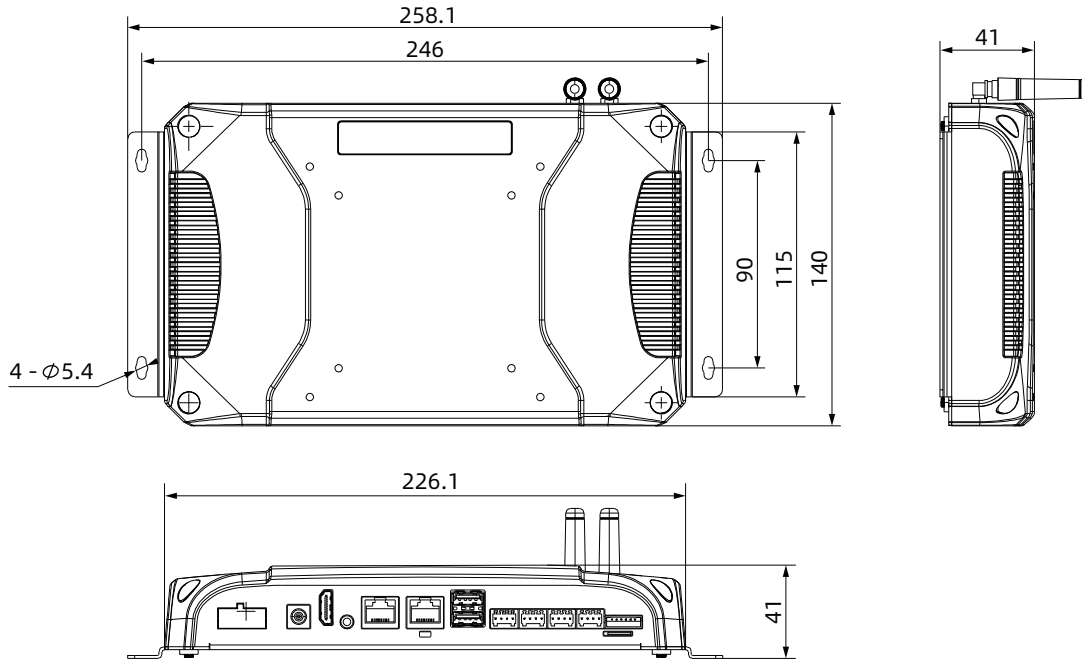
Specifications

Model	iBOX3576	
Processor	CPU	Rockchip RK3576
	Frequency	Quad-core 2.2GHz
	Chipset	Mail-G52 GPU
	Memory	4/8GB
	Storage	eMMC 64/128GB
I/O	LAN	2 x RJ45
	USB	1 x USB2.0 , 1 x USB3.0-OTG
	Audio	Realtek ALC662VD Audio Controller, supports 5.1-channel audio
	COM	4 x COM (2 x RS232/485 (selectable via jumper cap), 2 x RS232)
	Expansion Slot	1xmini-PCIe X1 card slot with Sim card slot supporting 4G 5G LTE/WIFI/BT
	Rear I/O	1 x HDMI/Audio/2 x RJ45/2 x USB/4 x COM/DC IN/1 x WIFI Bluetooth antenna /1 x GPS antenna /GPIO/SIM Card Slot /Ground
Power	Power	DC 12V (wide voltage optional, supports 12~36V)
Physical	Dimension (L x W x H)	258.1mm x 140mm x 41mm (10.16" x 5.51" x 1.61")
	Box Structure	Compacted aluminium-magnesium alloy profile housing, GND protection
	Mounting	Flat mounting, Wall-mounting
Environment	Operating Temperature	-20~70°C
	Storage Temperature	-40~80°C
	Relative Humidity	5~95% (Non condensation)
	Shock	Operating 10G peak acceleration(11 ms duration), follow IEC 60068-2-27
	Vibration	Operating Random Vibration Test 5~500Hz, 1Grms@with HDD;2Grms@with SSD, follow IEC 60068-2-64
	EMC	CE/FCC Class A

Technical Drawings unit: mm

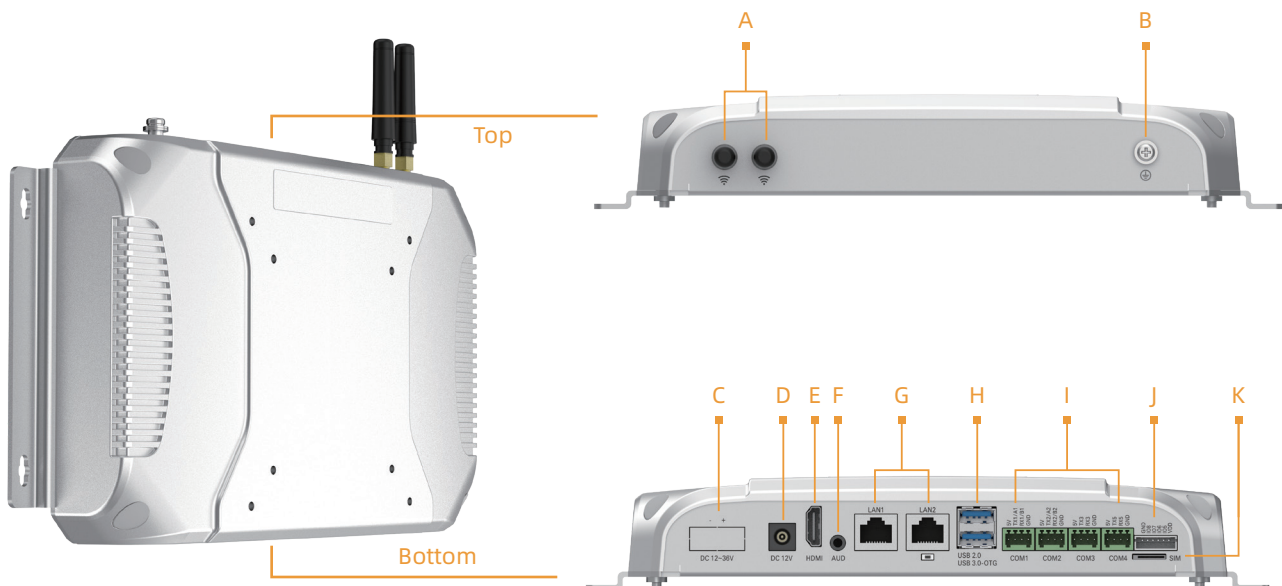
* [Rockchip RK3576 iBOX3576 Fanless Box PC Interface](#):

For the correct interface, see the External I/O Interface section, which is for dimensional reference only.



External I/O View

* [Rockchip RK3576 iBOX3576 Fanless Box PC Interface](#):



- | | | | | |
|---------------------------|-------------|--------------------------------|------------|---------|
| A: WiFi Bluetooth Antenna | B: Ground | C: Reserved Wide Voltage* | D: DC 12V | E: HDMI |
| F: AUDIO | G: 2 x RJ45 | H: 1 x USB2.0 , 1 x USB3.0-OTG | I: 4 x COM | J: GPIO |
| | | | | K: SIM |

Ordering Information

Model	Description
iBOX3576-4G-64G	CPU: Rockchip RK3576, RAM: 4GB, mSATA: 64GB; 1 x HDMI/Audio/2 x RJ45/2 x USB/4 x COM/DC IN/ 1 x WIFI Bluetooth antenna /1 x GPS antenna /GPIO/SIM Card Slot /Ground
iBOX3576-8G-128G	CPU: Rockchip RK3576, RAM: 8GB, mSATA: 128GB; 1 x HDMI/Audio/2 x RJ45/2 x USB/4 x COM/DC IN/ 1 x WIFI Bluetooth antenna /1 x GPS antenna /GPIO/SIM Card Slot /Ground

Optional Accessories

RAM	4GB, 8GB
Msata	64GB, 128GB
ES103497	500W Adaptor

Packing List

Terminal	1 x 4pin Phoenix Terminal x 4
Terminal	1 x 6pin Phoenix Terminal

Note: Package contents are subject to change without prior notice