

Features

- 3.5" Form Factor
- Support QSeven R2.1
- PCIe [x1], M.2 2280 B-Key, M.2 2230 E-Key
- DP x 1, eDP x 2 or LVDS x 1
- USB 3.2 Gen 2 x 2, USB 2.0 x 2, Micro USB x 1
- RJ-45 x 1, SATA x 2

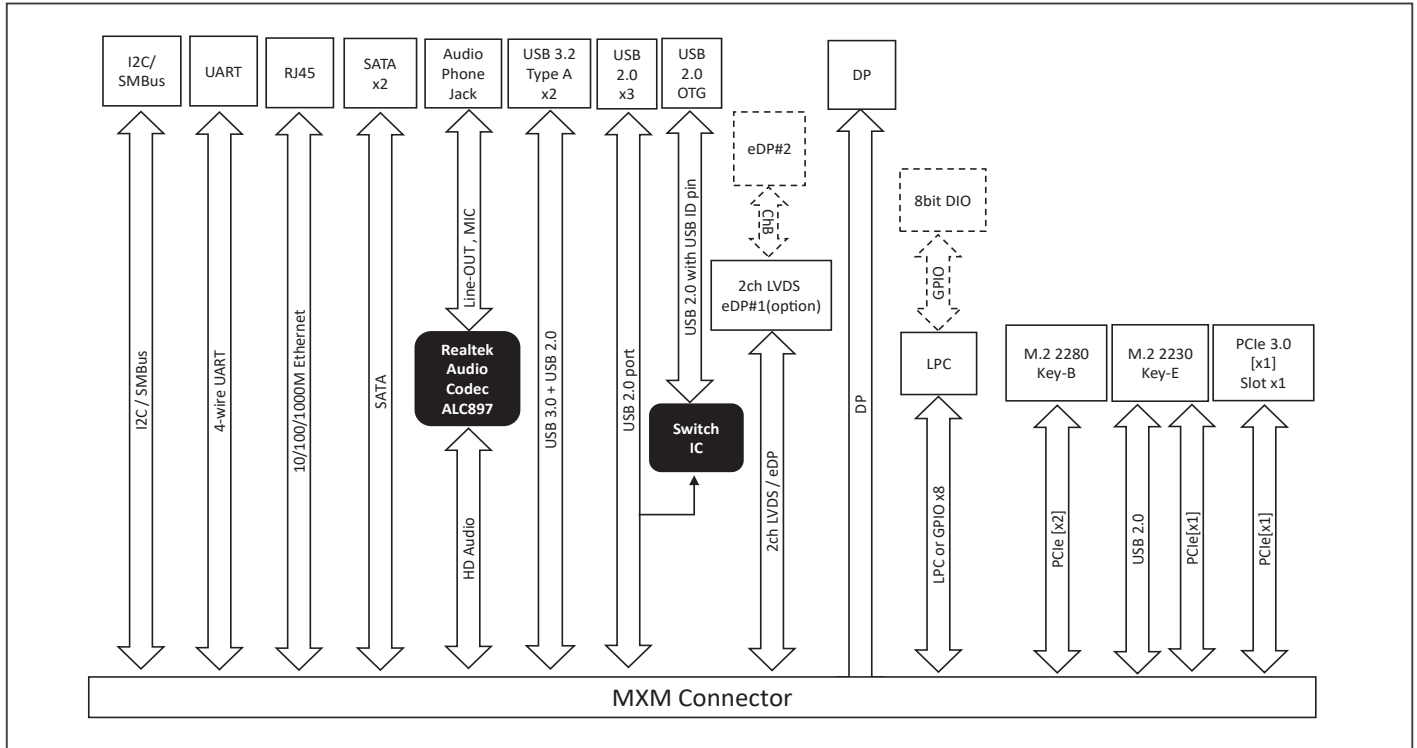


Specifications

System	
Form Factor	3.5" Form Factor
COM Express Connector	MXM 230pin
I/O Chipset	—
Front Panel Control	10-pin Header (2x5P) Including: power button and LED, reset button, STATUS LED
Ethernet	10/100/1000M, RJ-45 x 1 (From CPU module)
Expansion Interface	—
Power Supply Type	+12V DC-in
CMOS Battery	RTC battery socket x 1
BIOS	SPI socket x1
Dimension	5.75" x 4" (146mm x 101.7mm)
Gross Weight	1.32 lb (0.6 kg)
Operating Temperature	32°F ~ 140°F (0°C ~ 60°C)
Storage Temperature	-40°F ~ 185°F (-40°C ~ 85°C)
Operating Humidity	0% ~ 90% relative humidity, non-condensing
Display	
LCD	Dual Channel LVDS x 1 or eDP x 2
Display Interface	Display Port x 1
I/O	
Storage	SATA x 2 Micro SD Card x 1
Serial Port	4-wire UART
USB	USB2.0(Type-A) x 2 USB3.2(Type-A) x 2 USB2.0(Wafer) x 1 or Micro USB x 1
Audio	Audio Jack, supports Line-in, Line-out, Microphone
GPIO	8-bit (LPC colay GPIO by switch)
Switch/Button	Power Button x 1 / Reset Button x 1
Debug LED	7-Segment Display LED x 2 (80 Port Post code indicator)
I2C	1
Expansion Interface	SMBus, WDT M.2 2230 E-Key x 1 (PCIe 3.0 [x1], USB 2.0) M.2 2280 B-Key (PCIe 3.0 [x2]) PCIe [x1] Slot (PCIe Lane 4)

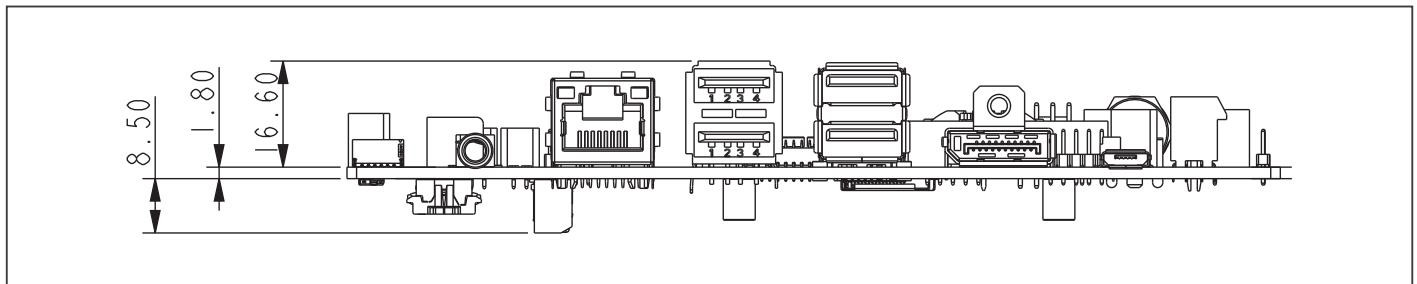


Block Diagram



Dimension

Unit: mm



Packing List

- COM port Cable x 1
- ECB-970G-A10 x 1
- USB cable x 1
- SATA power cable x 1

Optional Accessories

- 125530060Z
AC/DC Adapter.DC.100/240V.12V.60W.5A.180D.W/Lock.FSP.FSP060-DHAN3/9NA0608078.W/UKCA mark

Ordering Information

- ECB-970G-A10-0001
Qseven Carrier Board.DP.LVDS.RJ45.Audio Jack.COM.5USB.2SATA.PCI.E.M.2 B/E.AT/ATX.A1.0