

Features

- Mini-ITX form Factor
- Supports MXM SMARC module
- PCIe [x4] x 1, MIPI CSI x 2
- DP++ x 2, HDMI x 1, LCD x 2
- USB Type A x 6, Micro USB Type B x 1
- RJ-45 x 2, SATA III x 1

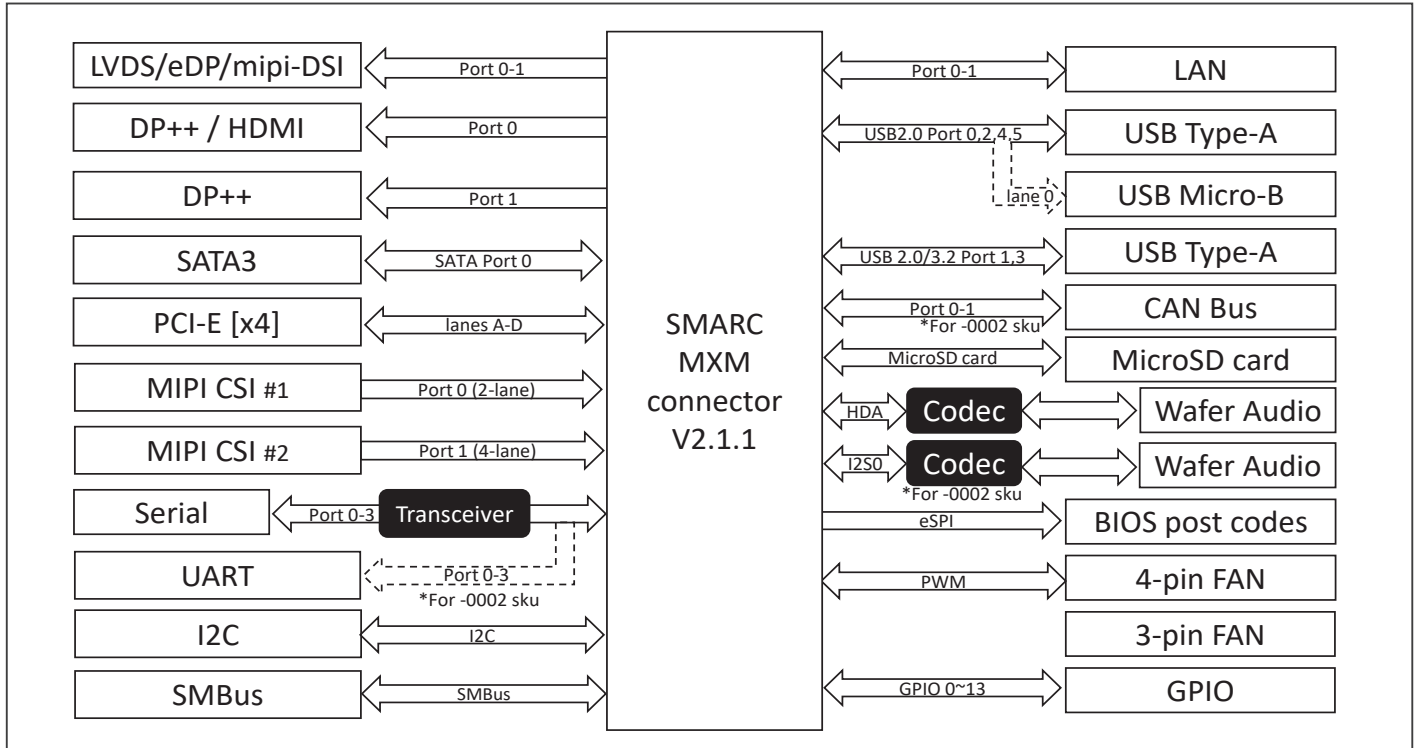


Specifications

| System | |
|-----------------------|---|
| Form Factor | Mini-ITX form Factor |
| COM Express Connector | — |
| I/O Chipset | — |
| Front Panel Control | — |
| Ethernet | 10/100/1000/2500 Base-TX RJ45 x 2 |
| Expansion Interface | PCIe lane[x4] x 1 |
| Power Supply Type | AT / ATX Depends on module |
| CMOS Battery | RTC battery socket x 1 |
| BIOS | — |
| Dimension | 6.69" x 6.69" (170mm x 170mm) |
| Gross Weight | 1.54 lb. (0.7Kg) |
| Operating Temperature | -40°F ~ 185°F (-40°C ~ 85°C) |
| Storage Temperature | -40°F ~ 185°F (-40°C ~ 85°C) |
| Operating Humidity | 0% ~ 90% relative humidity, non-condensing |
| Display | |
| LCD | LCD connectors x 2 for LVDS, eDP, DSI(4 lane), support by module features |
| Display Interface | DDI2: HDMI or DP++ (Optional, by BOM) DDI1: DP++ |
| I/O | |
| Storage | SATA 6Gb/s x 1 (Optional, by BOM) |
| Serial Port | RS-232 x 2 (Tx/Rx) + RS-232 x 2 (Tx/Rx/RTS/CTS) or 4-wire UART x 2 + 2-wire UART x 2 (Optional, by BOM) |
| USB | Type A connector x 6 (USB 2.0 x 4, USB 3.2/2.0 x 2) OTG x 1 (Client Mode Only) co-lay USB 2.0 x 1 |
| Audio | High Definition Audio (pin header) x 1 or I2S x 1 (Optional, by BOM) |
| GPIO | 7 bit (up to 14 bit ,optional by BOM) |
| Switch/Button | Power Button x 1/Reset Button x 1/Sleep Button x 1 |
| Debug LED | 7-Segment Display LED x 1 (80 Port Post Code Indicator) for x86 |
| I2C | x 1 |
| Expansion Interface | microSD card x 1 (Optional, by BOM) MIPI CSI x 2 (4 lane + 2 lane) CANBUS 2.0 A/B x 2 (Optional, by BOM) 3 pin Fan connector x 1 4 pin Fan connector x 1 SMBus x 1 SPI x 1 (Optional, by BOM) |

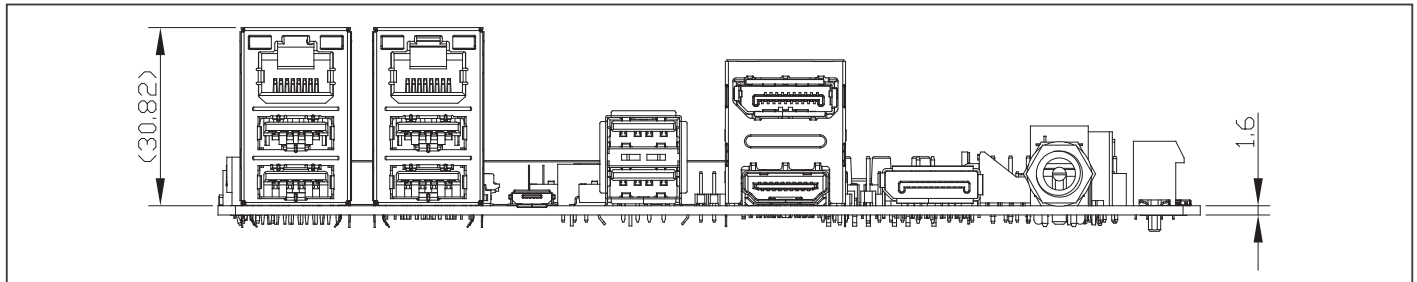


Block Diagram



Dimension

Unit: mm



Packing List

- ECB-960T x 1

Ordering Information

| Part Number | Description | Cable List |
|-------------------|---|---|
| ECB-960T-A15-0001 | SMARC Carrier for x86.mITX.2LAN.6USB.4COM.SATA.2DP.LCD.2CSI.HDA.PCIe.12V.A1.5 | COM Port Cable x 1 Audio Cable x 1 SATA Cable x 1 GPIO Cable x 1 |
| ECB-960T-A15-0002 | SMARC Carrier for ARM.HDMI.LVDS.2GbE.5USB.4UART.PCIe.2CSI.CANBUS.A1.5 | Audio cable x 1 GPIO cable x 1 |