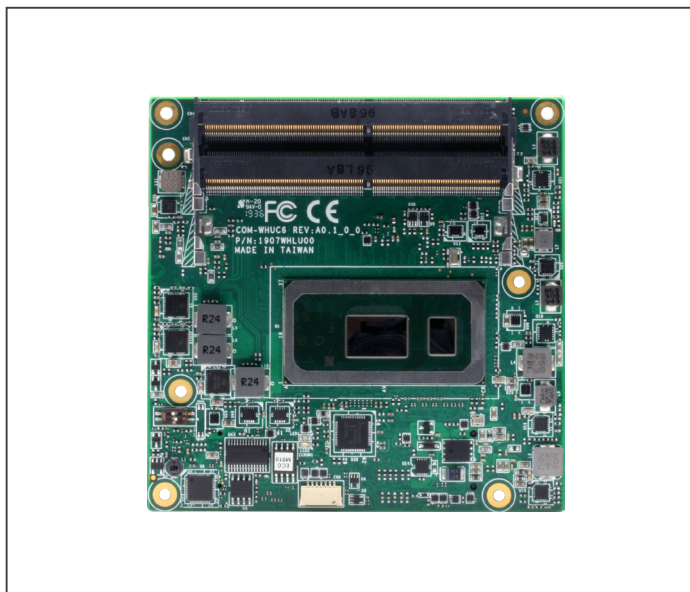


COM-WHUC6



COM Express Type 6 Compact Size with 8th Gen Intel® Core™/Celeron® Processor 4000 Series Processors



Features

- DDR4 2400MHz SODIMM x 2, up to 64GB
- VGA x 1, LVDS x 1, DDI x 1
- USB 2.0 x 8, USB 3.2 Gen 2 x 4
- PCIe [x1] x 8
- Intel® I219-LM GbE x 1
- COM Express Type 6, 3.74" x 3.74" (95mm x 95mm)



Specifications

System	
Form Factor	COM Express Compact Size, Type 6
CPU	8th Generation Intel® Core™ Processors: Intel® Core™ i7-8665UE (4C/8T, 1.70 GHz, 15W) Intel® Core™ i5-8365UE (4C/8T, 1.60 GHz, 15W) Intel® Core™ i3-8145UE (2C/4T, 2.20 GHz, 15W) Intel® Celeron® Processor 4000 Series: Intel® Celeron® Processor 4305UE (2C/2T, 2.00 GHz, 15W)
Chipset	Integrated with Intel® SoC
Memory	DDR4 2400MHz SODIMM x 2, up to 64GB (non-ECC)
Onboard Storage	eMMC, up to 64GB (Optional)
BIOS	AMI UEFI
Wake on LAN	Yes
Watchdog Timer	255 Levels
Dimension	3.74" x 3.74" (95mm x 95mm)
Security	dTPM
Power	
Power Requirement	+12V and +5VSB for ATX, +12V for AT
Power Type	AT/ATX
Power Consumption (Typical)	Intel® Core™ i7-8665UE, 2.61A @+12V
Display	
Graphics Controller	Intel® UHD Graphics 620 Intel® UHD Graphics 610
Video Output	3 Simultaneous Displays: DDI x 1, up to 3840 x 2160 18/24-bit Single/Dual-Channel LVDS/eDP x 1, up to 1920 x 1080 VGA x 1, up to 2048 x 1152
I/O	
Ethernet	Intel® I219-LM GbE x 1
Audio	High Definition Audio Interface
USB Port	USB 2.0 x 8, USB 3.2 Gen 2 x 4
Serial Port	2-Wire UART x 2 (Tx/Rx)
HDD Interface	SATA III x 2

Expansion	PCIe 3.0 [x1] x 4 PCIe 3.0 [x4] x 1 LPC x 1
GPIO	8-bit
SMBus/I2C	I2C x 1, SMBus x 1
Environment	
Operating Temperature	32°F ~ 140°F (0°C ~ 60°C)
Storage Temperature	-40°F ~ 185°F (-40°C ~ 85°C)
Operating Humidity	0% ~ 90% relative humidity, non-condensing
EMC	CE/FCC Class A
OS Support	Windows® 10 (64-bit) Linux Ubuntu 18.04.2/Kernel 4.18
Weight	0.44 lb. (0.20Kg)

Packing List

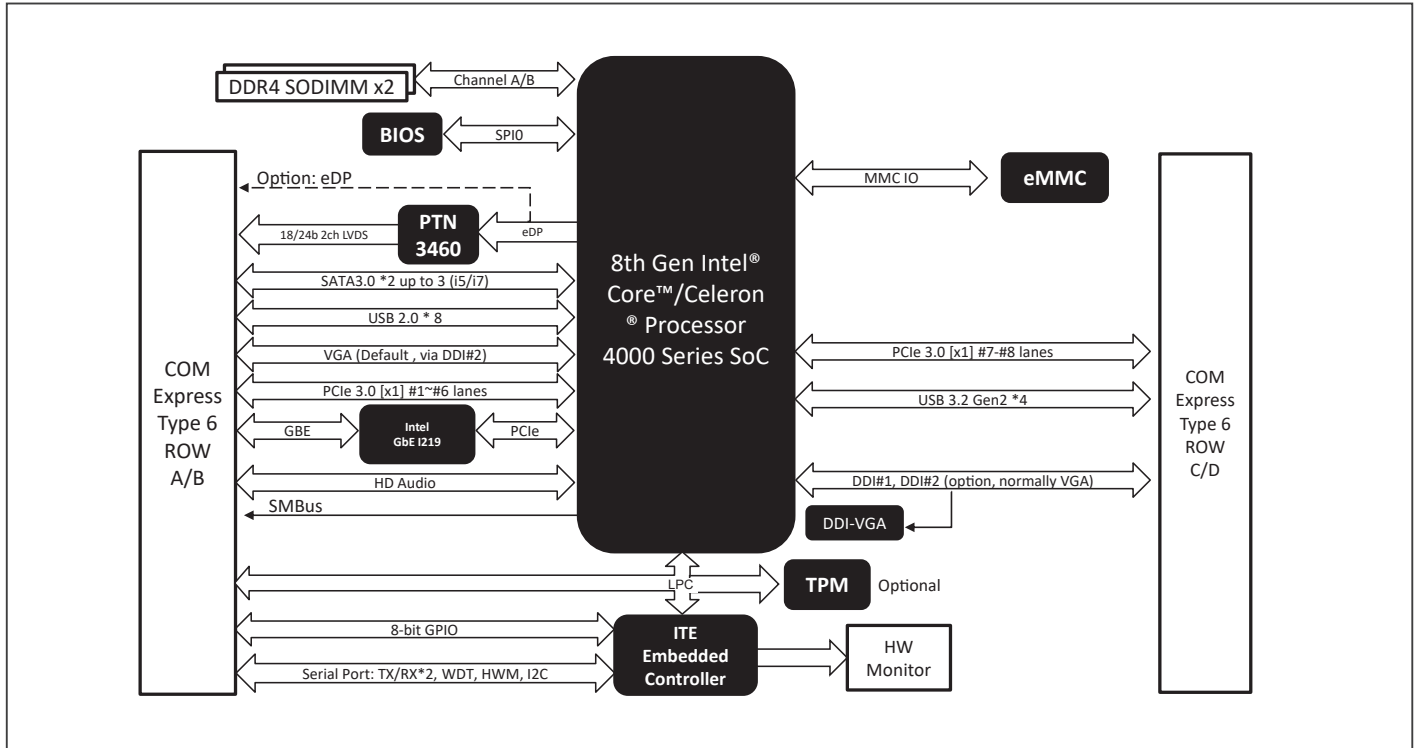
- COM-WHUC6

Optional Accessories

Part Number	Description
ECB-920A-A11-0001	COMe Type 6/10 Carrier Board. ATX. 2.5GbE. 8USB. 2COM. 4SATA. PCIe. AT/ATX. Rev.A1.1
COM-WHUC6-HSP01	Heat Spreader. 95mm x 95mm x 11mm. Black
COM-WHUC6-FAN01	Cooler. 95mm x 95mm x 36mm. 3pin
COM-FAN02	coole. 95mm x 95mm x 26.5mm. 3pin.w/HSP

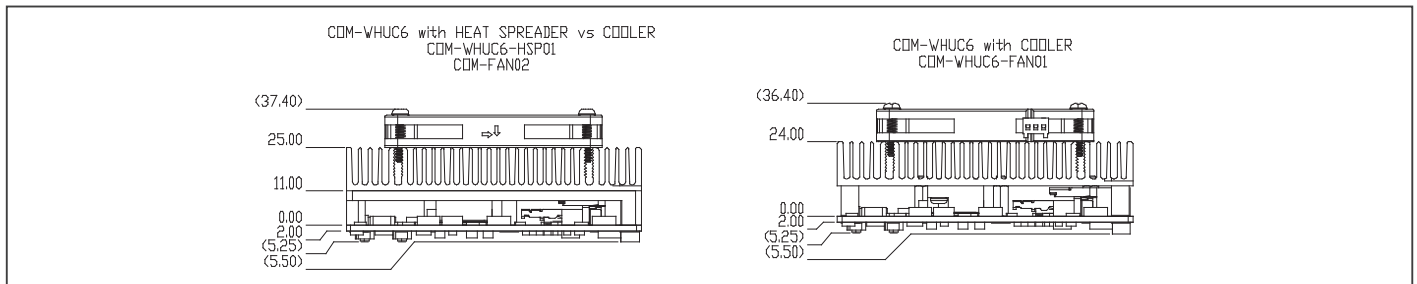


Block Diagram



Dimension

Unit: mm



Ordering Information

Part Number	COM Express Type	CPU	Memory	ECC support	Display	Storage	LAN	USB	UART	Expansion	Power	Temperature	Others
COM-WHUC6-A10-0001	Type 6	Intel® Core™ i7-8665UE	DDR4 SODIMM x 2	—	VGA x 1, LVDS x 1, DDI x 1	SATA III x 2 64GB eMMC	Intel® I219-LM x 1	USB 3.2 Gen 2 x 4 USB 2.0 x 8	2-Wire UART x 2 (Tx/Rx)	PCIe [x1] x 8	12V	0°C – 60°C	LPC, GPIO 8-bit, I2C, SMBus, SPI
COM-WHUC6-A10-0002	Type 6	Intel® Core™ i5-8365UE	DDR4 SODIMM x 2	—	VGA x 1, LVDS x 1, DDI x 1	SATA III x 2 64GB eMMC	Intel® I219-LM x 1	USB 3.2 Gen 2 x 4 USB 2.0 x 8	2-Wire UART x 2 (Tx/Rx)	PCIe [x1] x 8	12V	0°C – 60°C	LPC, GPIO 8-bit, I2C, SMBus, SPI
COM-WHUC6-A10-0003	Type 6	Intel® Core™ i3-8145UE	DDR4 SODIMM x 2	—	VGA x 1, LVDS x 1, DDI x 1	SATA III x 2 64GB eMMC	Intel® I219-LM x 1	USB 3.2 Gen 2 x 4 USB 2.0 x 8	2-Wire UART x 2 (Tx/Rx)	PCIe [x1] x 8	12V	0°C – 60°C	LPC, GPIO 8-bit, I2C, SMBus, SPI
COM-WHUC6-A10-0004	Type 6	Intel® Celeron® Processor 4305UE	DDR4 SODIMM x 2	—	VGA x 1, LVDS x 1, DDI x 1	SATA III x 2 64GB eMMC	Intel® I219-LM x 1	USB 3.2 Gen 2 x 4 USB 2.0 x 8	2-Wire UART x 2 (Tx/Rx)	PCIe [x1] x 8	12V	0°C – 60°C	LPC, GPIO 8-bit, I2C, SMBus, SPI