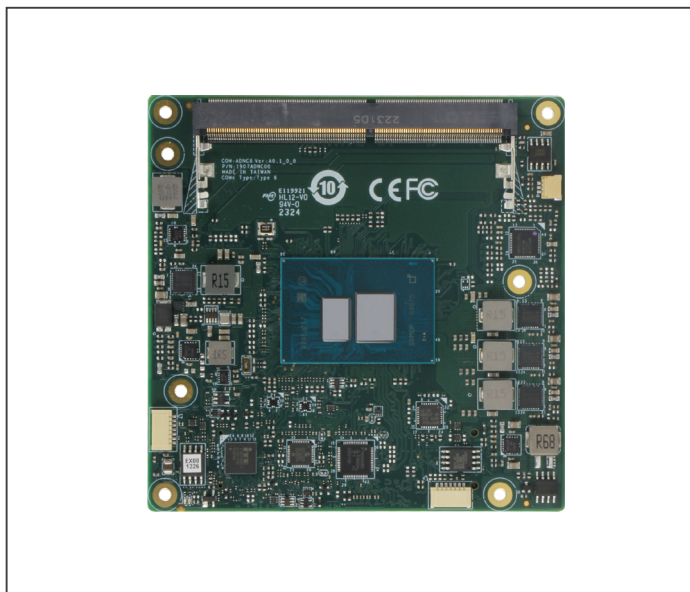


COM-ASLC6



COM Express Type 6 Compact Size with Intel Atom® X Series Processors



Features

- Intel Atom® X Series CPU, max TDP 12W
- DDR5 SODIMM x 1, up to 16GB (non-ECC)
- Intel® Ethernet Controller I226-V/IT x 1
- SATA 6Gb/s x 2
- USB 2.0 x 8, USB 3.2 Gen 2 x 2
- PCIe [x4] (PCIe [x1] x 4 or [x2] x 2), Up to 4 PCIe devices
- COM Express Type 6, Compact size, 95 x 95mm



Specifications

System	
Form Factor	COM Express Type 6, Compact Size
CPU	Intel Atom® X Series CPU Intel® Atom® x7835RE (8C, up to 3.6 GHz, 12W) Intel Atom® x7433RE (4C, up to 3.4 GHz, 9W) Intel Atom® x7213RE (2C, up to 3.4 GHz, 9W) Intel Atom® x7211RE (2C, up to 3.2 GHz, 6W)
Chipset	Integrated with Intel® SoC
Memory	DDR5 4800MHz Single Channel, SODIMM x1, up to 16GB
Onboard Storage	—
BIOS	AMI BIOS (UEFI)
Wake on LAN	Yes
Watchdog Timer	255 Levels
Dimension	3.74" x 3.74" (95mm x 95mm)
Security	TPM 2.0
Power	
Power Requirement	+12V and +5VSB for ATX, +12V for AT
Power Type	AT (default)/ATX, switch by BIOS
Power Consumption (Typical)	Intel Atom® x7835RE, 1.94A@+12V
Display	
Graphics Controller	Intel® UHD Graphics
Video Output	3 Displays: 18/24-bit Single/Dual-Channel LVDS/eDP x 1, up to 1920 x 1080/ 3840 x 2160 DP x 2, up to 3840 x 2160
I/O	
Ethernet	Intel® Ethernet Controller I226-V or I226-IT 2.5GbE x 1
Audio	High Definition Audio Interface
USB Port	USB 2.0 x 8, USB 3.2 Gen 2 x 2
Serial Port	2-Wire UART x 2 (Tx/Rx)
HDD Interface	SATA 6Gb/s x 2
Expansion	PCIe [x1] x 4 or [x2] x 2, LPC, WDT, HWM
GPIO	8-bit
SMBus/I2C	I2C x 1, SMBus x 1
Environment	
Operating Temperature	-40°F ~ 185°F (-40°C ~ 85°C)
Storage Temperature	-40°F ~ 185°F (-40°C ~ 85°C)
Operating Humidity	0% ~ 90% relative humidity, non-condensing
EMC	CE/FCC Class A
OS Support	Windows® 11 (64-bit) Linux Ubuntu 22.04.02/Kernel 5.19
Weight	0.26 lb. (0.12Kg)

Packing List

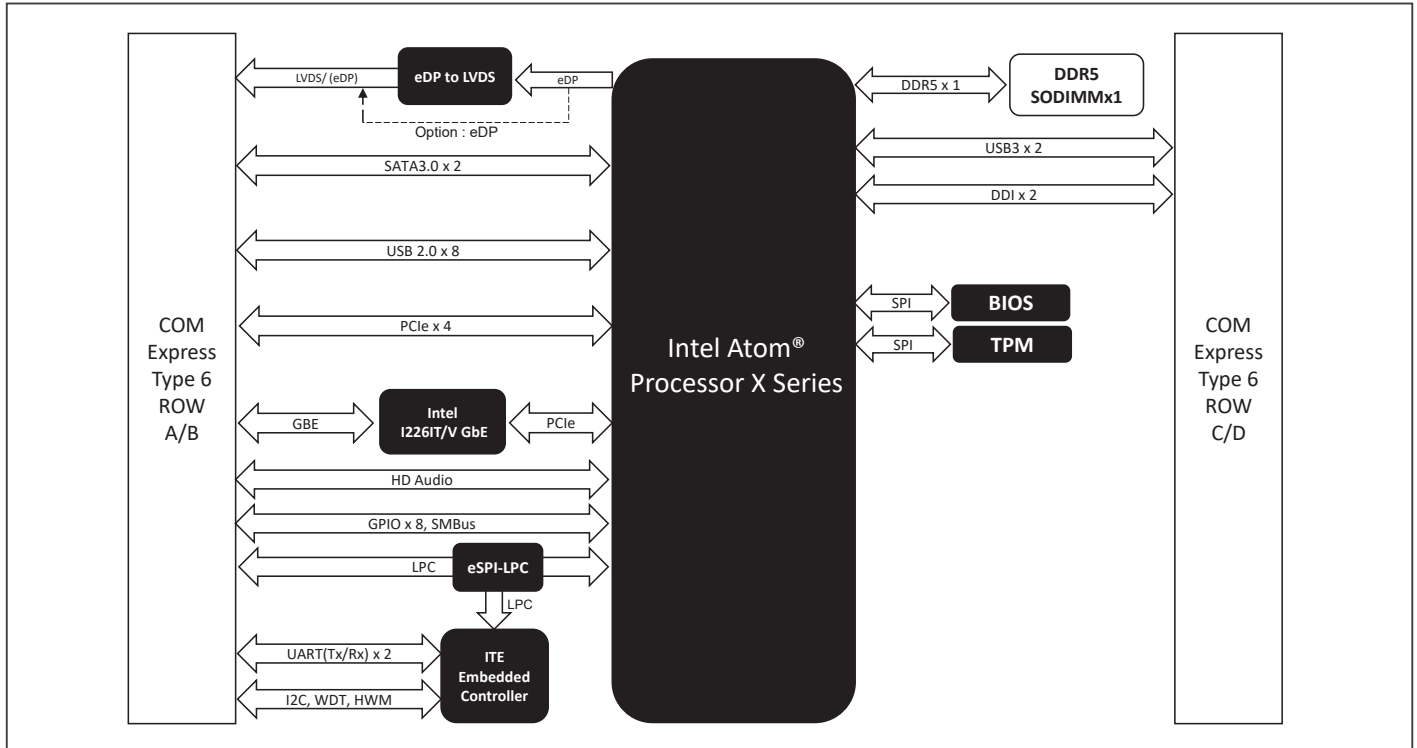
- COM-ASLC6 x 1

Optional Accessories

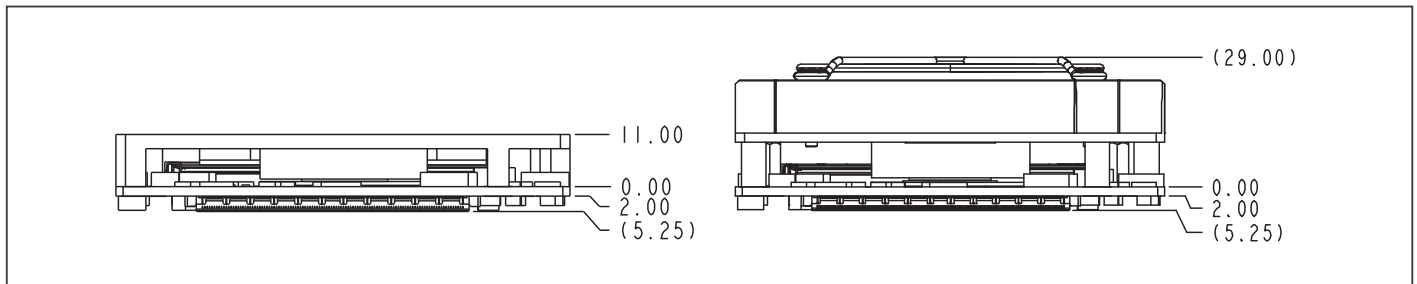
Part Number	Description
COM-ADNC6-FAN01	Cooler.95*95*29mm.4pin
COM-ADNC6-HSP01	Heat Spreader.95*95*11mm
ECB-920A-A11-0001	COMe Type 6/10.Carrier Board.ATX.2.5GbE.8USB.2COM.4SATA.PCIe.AT/ATX. Rev.A1.1



Block Diagram



Dimension Unit: mm



Ordering Information

Part Number	Com Express Type	CPU	Memory	ECC Support	Display	Storage	LAN	USB	UART	Expansion	Power	Temperature	Others
COM-ASLC6W2-A10-0001	Type 6	Intel® Atom®x7835RE	DDR5 SODIMM x 1	—	LVDS x 1, DP x 2	SATA 6Gb/s x 2	Intel® Ethernet Controller I226-IT x 1	USB 2.0 x 8, USB 3.2 Gen 2 x 2	2-Wire UART x 2 (Tx/Rx)	PCIe x4 lanes (x1*4 or x2*2)	12V	-40°C – 85°C	LPC, GPIO 8-bit, I2C, SMBus
COM-ASLC6W2-A10-0002	Type 6	Intel® Atom®x7433RE	DDR5 SODIMM x 1	—	LVDS x 1, DP x 2	SATA 6Gb/s x 2	Intel® Ethernet Controller I226-IT x 1	USB 2.0 x 8, USB 3.2 Gen 2 x 2	2-Wire UART x 2 (Tx/Rx)	PCIe x4 lanes (x1*4 or x2*2)	12V	-40°C – 85°C	LPC, GPIO 8-bit, I2C, SMBus
COM-ASLC6W2-A10-0003	Type 6	Intel® Atom®x7213RE	DDR5 SODIMM x 1	—	LVDS x 1, DP x 2	SATA 6Gb/s x 2	Intel® Ethernet Controller I226-IT x 1	USB 2.0 x 8, USB 3.2 Gen 2 x 2	2-Wire UART x 2 (Tx/Rx)	PCIe x4 lanes (x1*4 or x2*2)	12V	-40°C – 85°C	LPC, GPIO 8-bit, I2C, SMBus
COM-ASLC6W2-A10-0004	Type 6	Intel® Atom®x7211RE	DDR5 SODIMM x 1	—	eDP x 1, DP x 2	SATA 6Gb/s x 2	Intel® Ethernet Controller I226-IT x 1	USB 2.0 x 8, USB 3.2 Gen 2 x 2	2-Wire UART x 2 (Tx/Rx)	PCIe x4 lanes (x1*4 or x2*2)	12V	-40°C – 85°C	LPC, GPIO 8-bit, I2C, SMBus